



| | | |
|--------------|--|----------------|
| Code: | COLD UNITS | Model: |
| 172800010 | PREMIER M BW80 GN 2/1 SINGLE DOOR REFRIGERATOR CABINET | PREMIER M BW80 |

| | | |
|----------------|--|----------------------|
| Hygiene | | Easy Maintenance |
| Heavy Duty | | Efficiency |

MAIN FEATURES

- * GN 2/1 size refrigerator with single door
- * 304 quality stainless steel
- * Operating temperature -5/+12 °C
- * Maximum internal capacity minimal temperature increase during defrost
- * Most efficient air distribution inside with a specially designed air channel
- * The inner lower base which are moulded comply with the highest hygiene standards with rounded corners and are made of stainless steel
- * Automatic fan cutout switch and internal led light
- * Wide magnetic removable gasket with triple insulation area provides an effective seal which reduces heat lost
- * 40-42 kg/m3 density environment friendly HFC-Free Polyurethane insulation for low energy consumption (78 mm)
- * Protecting Class (IP2X)
- * Ventilated cooling design
- * Reversible door allows the appliances to be adapted to any individual installation site
- * Standart 4 rails with special design for each side inside the cabinet

OPTIONS

- * **Leg Option:** Castor
- * **Shelf Option:** Nylon/Stainless
- * **Plug Option:** UK/EU
- * **Door Option:** Left Hinged / Right Hinged

ACCESSORIES

- * Master Key
- * Set of Plastic Coated Shelf
- * Set of Inox Shelf
- * Set of Premier BW80 Type Rail
- * Set of Ø64 Castor

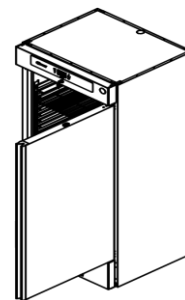
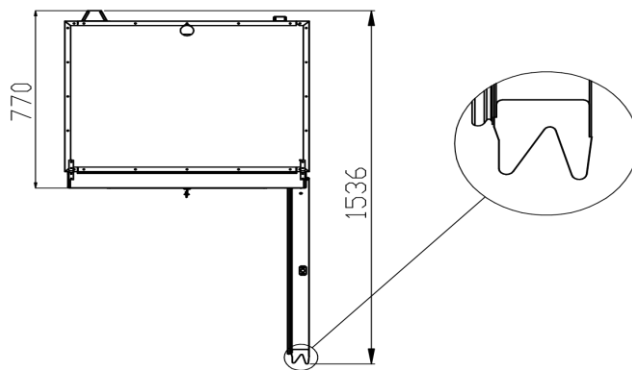
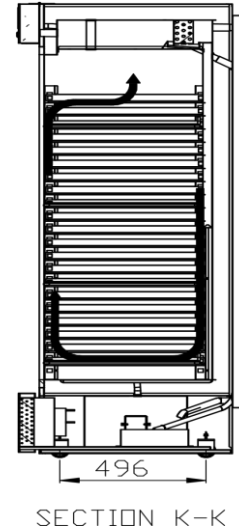
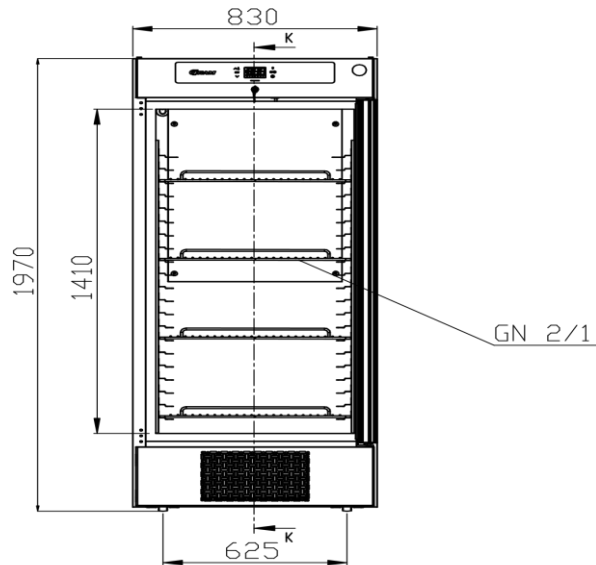
STANDARDS

- | | |
|------------------|---|
| * EN 60335-1 | European Standard relating to safety of household and similar electrical appliances |
| * EN 60335-2-89 | European Standard relating to particular requirements for commercial refrigerating appliances with an incorporated or remote refrigerant unit or compressor |
| * ISO 22041:2019 | Refrigerated storage cabinets and counters for professional use Performance and energy consumption |





| | | |
|--------------|--|----------------|
| Code: | COLD UNITS | Model: |
| 172800010 | PREMIER M BW80 GN 2/1 SINGLE DOOR REFRIGERATOR CABINET | PREMIER M BW80 |



| DIMENSIONS (Net) | | DIMENSIONS (Shipping) | |
|------------------|------|-----------------------|------|
| * Width (mm): | 830 | * Width (mm): | 870 |
| * Depth (mm): | 770 | * Depth (mm): | 795 |
| * Height (mm): | 1970 | * Height (mm): | 2150 |
| * Weight (kg): | 135 | * Weight (kg): | 145 |
| | | * Volume (m³): | 1,49 |

| TECHNICAL SPECIFICATIONS | | | |
|----------------------------|-----------------------|--------------------------|---------------------|
| * Gross Volume: | 610 L | * Cooling Temperature: | -5/+12 °C |
| * Net Volume: | 457 L | * Cooling Gas Type: | R600a |
| * Climate Class: | CC5 (+40 °C - %40 Rh) | * Cooling Capacity: | 206 W (-10° / +45°) |
| * Energy Efficiency Class: | A | * Supply Voltage: | 230V / NPE 50 Hz |
| * Energy Efficiency Index: | 24,45 | * Protection Class: | IP 2X |
| * Energy Consumption: | 0,911 kW/24h | * Cooling System Design: | Ventilated |
| * Connection Load: | 120 W | * Sound Level: | 48 dB |

